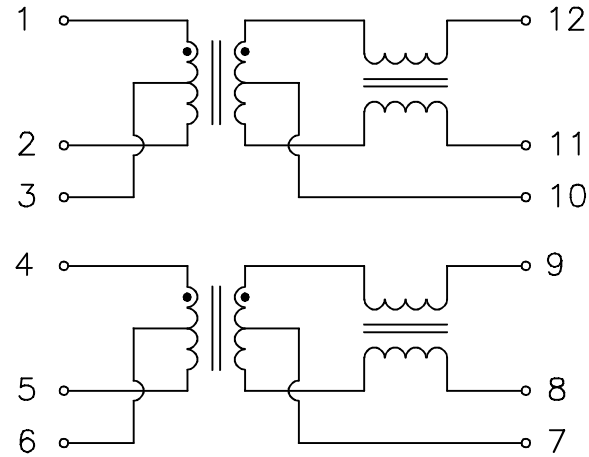


PCB LAYOUT MOUNTING HOLE  
TOP VIEW

UNLESS OTHERWISE SPECIFIED ALL TOLERANCES ARE : XX.XX ±0.25mm  
0.XX ±0.05mm



ELECTRICAL CHARACTERISTICS : @25°C

1. TURNS RATIO : TX/RX = 1CT : 1CT (±5%).
2. OCL (@100KHz / 0.2V WITH 8mA/DC BIAS) : 350uH MIN.
3. CROSS TALK : 0.3~100MHz = -35dB MIN.
4. HI-POT : 1500Vrms.
5. INSERTION LOSS : 0.3~100MHz = -1.1dB MAX.
6. RETURN LOSS (@100 Ω) : 30MHz = -18dB MIN.  
40MHz = -15dB MIN.  
60MHz = -13dB MIN.  
80MHz = -11dB MIN.
7. DCMRR : 0.3~100MHz = -30dB MIN.
8. RoHS COMPLIANT

							TITLE 10/100 BASE-TX TRANSFORMER	
							DWG. NO. ATPL-378R	
RELEASE						UNITFS:	SAFETY	
NO:	DESCRIPTION	DATE	BY	CHK	APPD	DATE	P/N:	SHEET 1 of 1
REVISIONS						DRAW		